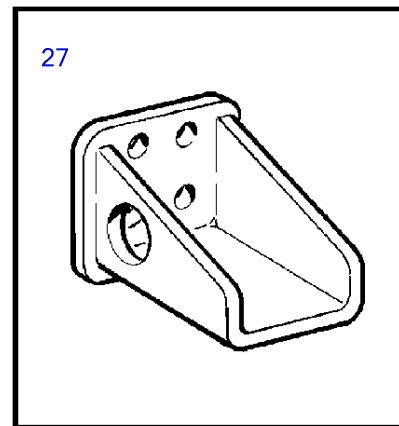
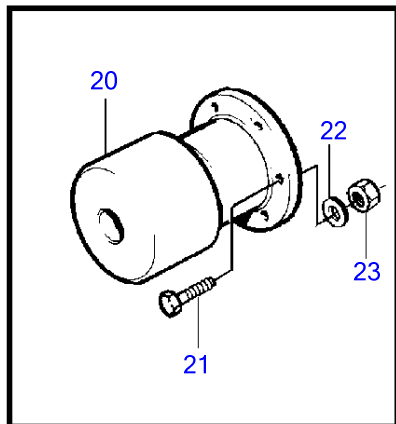
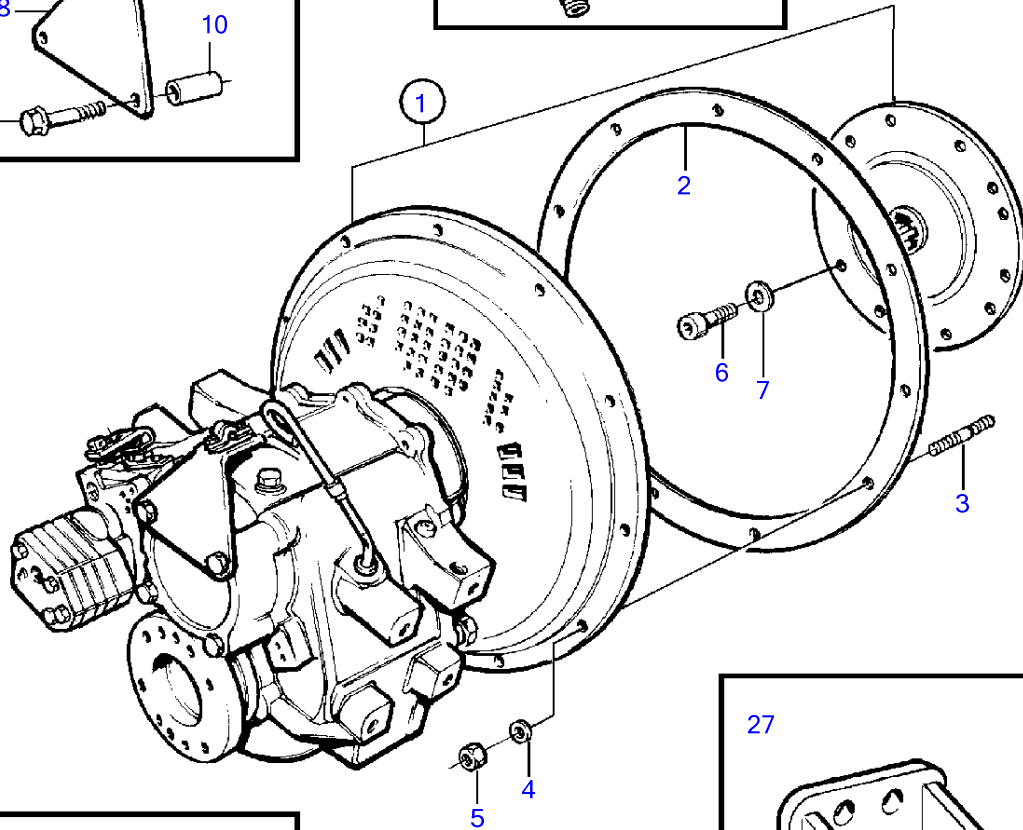
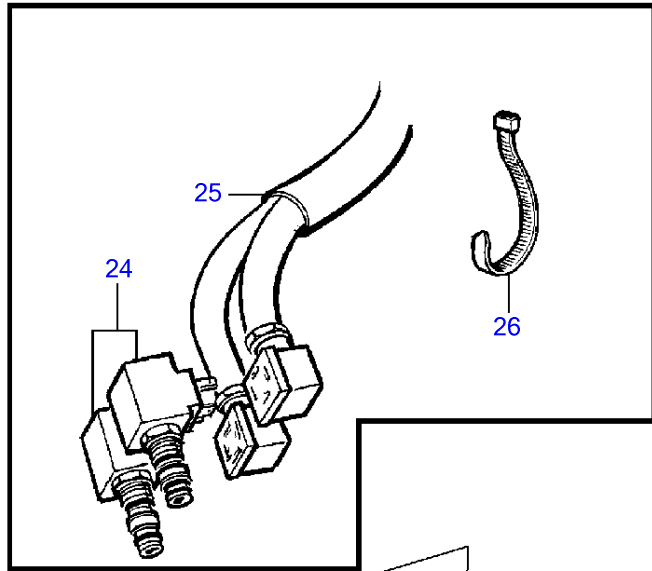
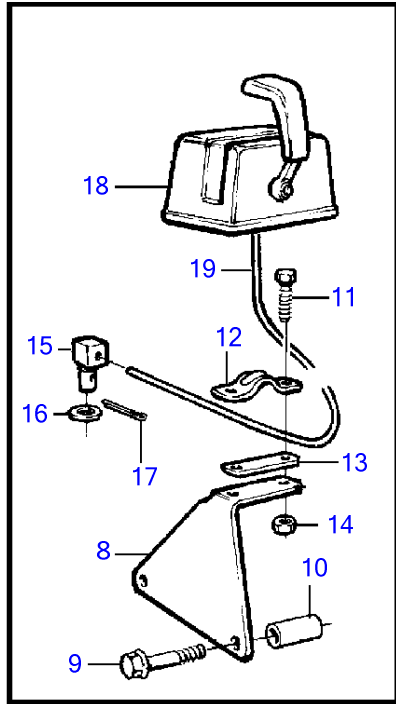


TAMD63L-A, TAMD63P-A



TAMD63L-A, TAMD63P-A

REF	PART NO.	QTY	DESCRIPTION	NOTES
1		1	Reversing gear • parts not sold separately	Ratio -2.0:1
2	862623	1	Gasket	
3	953486	12	Stud	
4	942336	12	Spring washer	
5	955827	12	Hexagon nut	
6	940114	8	Hexagon screw	
7	942336	8	Spring washer	
8	864242	1	Bracket	
9	955570	2	Hexagon screw	
10	830672	2	Spacer sleeve	
11	956079	2	Cross recessed screw	
12	21471054	1	Bracket	For control cable 333, 33C.
	6853782	1	Cable clamp	For control cable 443, 43C.
13	819068	1	Washer	
14	963104	2	Lock nut	
15	853217	1	Cube	
16	940191	1	Washer	
17	17253	1	Split pin	
18		X	Control	See group 27
19		X	Control cable	See group 27
20	842106	1	Companion flange	
21	955739	6	Hexagon screw	
22	941912	6	Spring washer	
23	950378	6	Lock nut	
24	3825653	1	Actuator solenoid	12V
	3825654	1	Control magnet kit	24V
25	873827	1	Cable kit	
26	948211	2	Cable tie	
27		2	Engine suspension	See group 21